

SiteWERX

Location System Solution



Can 911 responders find you?

If you made that call using a mobile phone, the answer may surprise you.

- Emergency responders can only identify your location on a best case scenario within an “area of confidence” between 50 and 150 meters. However, results can yield a location as far as 300 meters, an equivalent of three football fields or three city blocks.
- If that call is made from a multi-story building, emergency responders will not know which specific floor or room you are in as altitude is never provided.

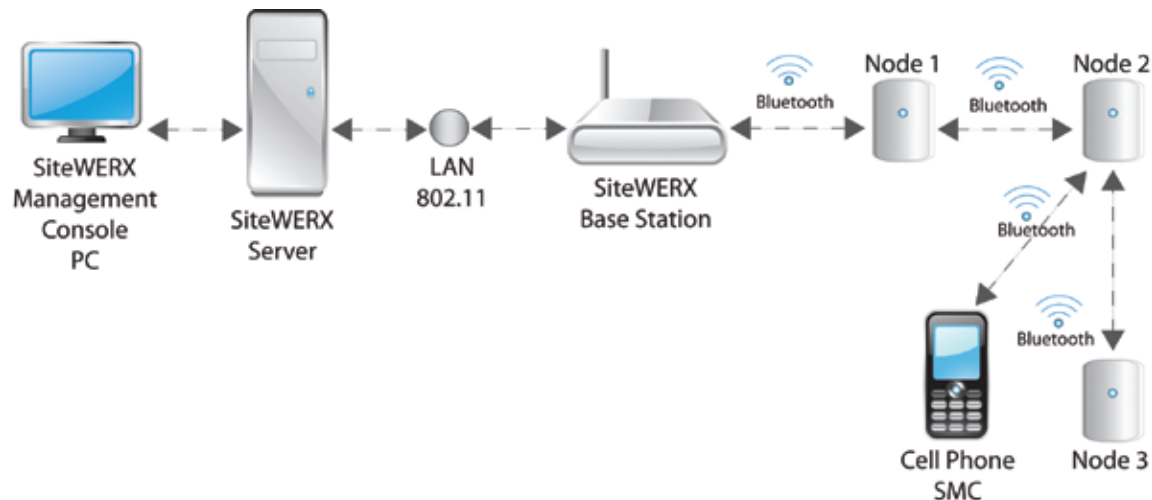
SiteWERX locates a 911 call made indoors from a mobile phone.

SiteWERX creates a wireless node network that enables the mobile phone caller’s exact location to be transmitted when making a 911 call from inside a building. With this information, emergency responders can know specifically from what building, floor and room a call is coming and can get help to that wireless caller faster.

Wireless caller information can be transmitted automatically to any number of monitoring stations on campus or to local PSAPs (Public Safety Answering Points), the agencies that answer 911 calls and dispatch police, fire and ambulances. Through the SiteWERX Managed System area-specific messages can be sent directly to a wireless caller or group based on their specific location and relay instructions, such as evacuation orders.



Overview of a SiteWERX Location System



SiteWERX Location System Solution

SiteWERX Location System Solution comprises three parts:



SiteWERX Location Nodes (SLN), which are installed in rooms and hallways. Nodes can be configured with specific information such as floor and room number, latitude and longitude and elevation, postal code and street address, or other user-specified information.



SiteWERX software application, which gets downloaded and runs on Bluetooth-enabled mobile phones



SiteWERX Managed System, which manages the nodes, tracks mobile phones within the node network, and sends location information to 911 communication centers.

In the U.S., upwards of 50% of all 911 calls originate on mobile phones.

More than 24 million homes in the U.S. do not have landline phones. They use mobile or VoIP phones only.

Emergency responders can only identify your location on a best case scenario within an “area of confidence” between 50 and 150 meters. However, results can yield a location as far as 300 meters, an equivalent of three football fields or three city blocks.

Today, altitude is never provided leaving 911- callers vulnerable in multi-story buildings.

SiteWERX delivers a mobile phone caller’s location to within 10 meters, including building, floor and room number.

FAQs

How does SiteWERX technology work?

SiteWERX is made up of three parts: a Location Node that is installed in a room or hallway, a Bluetooth-enabled cell phone running a SiteWERX application and the SiteWERX Managed System that manages the nodes and sends location information to the 911 communication center. The SiteWERX Location Node Network creates a “safety zone” and when a 911 call is made anywhere inside the safety zone using a SiteWERX enabled cell phone, the location information is automatically sent to the 911 communication center telling them exactly which building, floor and room the caller is in.

Will the SiteWERX software work on my phone?

SiteWERX supports most Bluetooth-enabled phones on the market.

Does SiteWERX work on my landline phone?

No. SiteWERX is designed only for mobile phones.

How do I get the software onto my phone?

There are two easy ways to download the software to a mobile phone:

1. Download it directly to the phone.
2. Download it to a computer and then transfer it to a phone.

Do I have to do anything after I download it to my phone?

No, the SiteWERX software is set to run in dormant mode and will only wake up if you place a call to 911.

Will it run down the power on my phone?

No. While in dormant mode the software does not consume any power.

Will my location be constantly tracked after I download this application onto my phone?

No, the SiteWERX software activates when the phone dials 911, which is the only time your phone can be located.